

SOLOY AVIATION SOLUTIONS

ILLUSTRATED PARTS CATALOG SUPPLEMENT

FOR

**CESSNA U206G/TU206G 206H/T206H AIRPLANES
WITH SOLOY WING MOUNT CAMERA
MODIFIED I/A/W SOLOY CONVERSION KIT
P/N 916-1000**

SOLOY AVIATION SOLUTIONS
CESSNA 206 WITH WING MOUNT CAMERA
ILLUSTRATED PARTS CATALOG SUPPLEMENT

NOTICE

The use of parts listed herein may be restricted or prohibited by Soloy Aviation Solutions or Cessna Aircraft Company Service Bulletins. Accordingly, this manual must be used in conjunction with all applicable and effective Soloy and Cessna Aircraft Company Service Bulletins.

Soloy Aviation Solutions
450 Pat Kennedy Way S.W.
Olympia, Washington 98501 USA
Phone: 360-754-7000
Fax: 360-943-7659
Email: soloy@soloy.com

October, 2011

SOLOY AVIATION SOLUTIONS
CESSNA 206 WITH WING MOUNT FLIR CAMERA
 ILLUSTRATED PARTS CATALOG SUPPLEMENT

NOTICE

This data is furnished with the understanding that it will be used for operational service and maintenance purposes only, and not to manufacture or procure the manufacture of the part shown and/or described.

LIST OF EFFECTIVE PAGES

Insert the latest revision pages; dispose of superseded pages.

NOTE

On a revised page, the portion of the text affected by the latest revision is indicated by a vertical line in the right hand margin.

First Edition:

Revision 0 July 3, 2003

Second Edition:

Revision 0 October, 2011

Revision 1 January, 2015

CHAPTER	PAGE	DATE	CHAPTER	PAGE	DATE
TITLE PAGE	N/A	1/2015	APPENDIX A	A1	10/2011
NOTICE	N/A	10/2011		A2	1/2015
LIST OF EFFECTIVE PAGES	i	1/2015		A3	1/2015
INTRODUCTION	ii	10/2011		A4	10/2011
	iii	10/2011	APPENDIX B	B1	10/2011
	iv	10/2011		B2	1/2015
TABLE OF CONTENTS	v	10/2011		B3	1/2015
	vi	10/2011		B4	10/2011
11-00-00	1	10/2011			
	2	1/2015			
	3	1/2015			
	4	10/2011			
57-40-00	1	10/2011			
	2	1/2015			
	3	1/2015			
	4	1/2015			
	5	1/2015			
	6	10/2011			
	7	10/2011			
	8	1/2015			
	9	1/2015			
57-60-00	0	10/2011			
	1	10/2011			
	2	10/2011			

January, 2015

SOLOY AVIATION SOLUTIONS
CESSNA 206 WITH WING MOUNT FLIR CAMERA
ILLUSTRATED PARTS CATALOG SUPPLEMENT

INTRODUCTION

CONTENT AND ARRANGEMENT

This publication applies to Cessna Model 206 aircraft modified in accordance with Soloy Aviation Solutions' Supplemental Type Certificate SA02748AT.

The purpose of this Illustrated Parts Catalog Supplement is to illustrate and identify replacement parts and assemblies necessary for the support of the model covered herein. The information in the catalog is based on data available at the time of publication. **DO NOT USE** this Illustrated Parts Catalog Supplement to determine removal and installation procedures, refer to the Maintenance Manual for the given part. The airplane operator, using applicable rules, is responsible for determining the status (or airworthiness) of the airplane.

This Illustrated Parts Catalog Supplement is divided into chapters which correspond to equivalent chapters in the Maintenance Manual supplement and is prepared in accordance with the Air Transport Association 2200 Specification format.

The catalog features an index system consisting of:

1. A **TABLE OF CONTENTS** located in the front of the catalog.
2. An **ALPHABETICAL INDEX** which appears in Appendix A.
3. A **PART NUMBER INDEX** which appears in Appendix B.

A parts list is provided for each illustration throughout the supplement. The first line of each parts list contains information regarding the chapter, section, figure number, and description of the overall illustration.

Any part associated with this installation can be ordered from Soloy Aviation Solutions; however, for convenience a supplier code is provided to source individual parts. Suppliers used in this installation include:

- S – Soloy Aviation Solutions
- C – Cessna
- HMS – Soloy Hardware/Material Substitution Report, Soloy publication 700-010
- Blank – Multiple suppliers with a common part number

The catalog is a supplement to the existing Cessna Parts Catalog and when used in conjunction with that publication complete parts coverage is obtained.

SOLOY AVIATION SOLUTIONS
CESSNA 206 WITH WING MOUNT FLIR CAMERA
ILLUSTRATED PARTS CATALOG SUPPLEMENT

LOCATION OF PARTS

1. WHEN THE PART NUMBER IS KNOWN:

- A. Locate the part number in the **PART NUMBER INDEX** in the rear of the catalog.
- B. Record the chapter and figure number.
- C. Turn to the chapter and locate the figure number.
- D. Locate the part number in the parts index and note the index number.
- E. Locate the part on the component illustration noting the index number in the illustration.
- F. Confirm correct part.

2. WHEN THE PART NOMENCLATURE IS KNOWN:

- A. Locate the part number in the **ALPHABETICAL INDEX** in the rear of the catalog.
- B. Record the chapter and figure number.
- C. Turn to the chapter and locate the figure number.
- D. Locate the part number in the parts index and note the index number.
- E. Locate the part on the component illustration noting the index number in the illustration.
- F. Confirm correct part.

3. FOR ALL OTHER CASES:

- A. Refer to the **TABLE OF CONTENTS** and find an appropriate section.
- B. Select the figure covering the part in question.
- C. Turn to the figure and locate the part by reference to the illustration and determine its index number.
- D. Locate the index number on the adjacent parts callout page, confirming both part number and description.

SOLOY AVIATION SOLUTIONS
CESSNA 206 WITH WING MOUNT FLIR CAMERA
ILLUSTRATED PARTS CATALOG SUPPLEMENT

INSTRUCTIONS FOR ORDERING

Order parts by part number and nomenclature as indicated in this publication. Specify quantity, required method of shipment and P.O. number if applicable. Do not order by nomenclature alone.

Soloy Aviation Solutions reserves the right to supply substitute parts interchangeable with the part ordered wherein design change, later specifications, conditions of supply or product improvement make such substitution necessary.

All orders for parts will be filled in the shortest possible time, with parts of any emergency nature given special attention. Items not in stock will be placed on backorder and the customer notified as to the date when shipment will be made. Parts are shipped on open account to all customers having an approved credit rating with Soloy Aviation Solutions. All other orders are shipped C.O.D. Method of transportation on shipments will be designated by the customer. When no such designation is made, method of transportation will be by the most expeditious means, at the discretion of Soloy Aviation Solutions. When shipping charges are prepaid, as on parcel post, the amount of the charges will be added to the customer's invoice.

Orders for spare parts should be addressed to:

SOLOY AVIATION SOLUTIONS
450 Pat Kennedy Way SW
Olympia, Washington 98501 U.S.A.
Attention; Spare Parts Department

or call direct

Phone: 360-754-7000
Fax: 360-943-7659
Email: soloy@soloy.com
Website: www.soloy.com

SOLOY AVIATION SOLUTIONS
CESSNA 206 WITH WING MOUNT FLIR CAMERA
 ILLUSTRATED PARTS CATALOG SUPPLEMENT

TABLE OF CONTENTS

FIGURE	DESCRIPTION	CHAPTER	PAGE
GENERAL			
	LIST OF EFFECTIVE PAGES.....		i
	INTRODUCTION		v
	TABLE OF CONTENTS.....		viii
PLACARDS AND MARKINGS		11-30-00	
1	INTERIOR PLACARDS.....		1
WINGS		57-40-00	
1	SPAR BLOCKS		1
2	INTERCOSTAL WEB AND INTERCOSTAL BLOCKS		3
3	WING ACCESS HOLES		5
4	DOVETAIL MOUNT		7
		57-60-00	
1	AILERON TRIM TABS		1
INDEX			
	ALPHABETICAL INDEX		A1
	PART NUMBER INDEX.....		B1

SOLOY AVIATION SOLUTIONS
CESSNA 206 WITH WING MOUNT FLIR CAMERA
ILLUSTRATED PARTS CATALOG SUPPLEMENT

This Page Intentionally Left Blank

CHAPTER

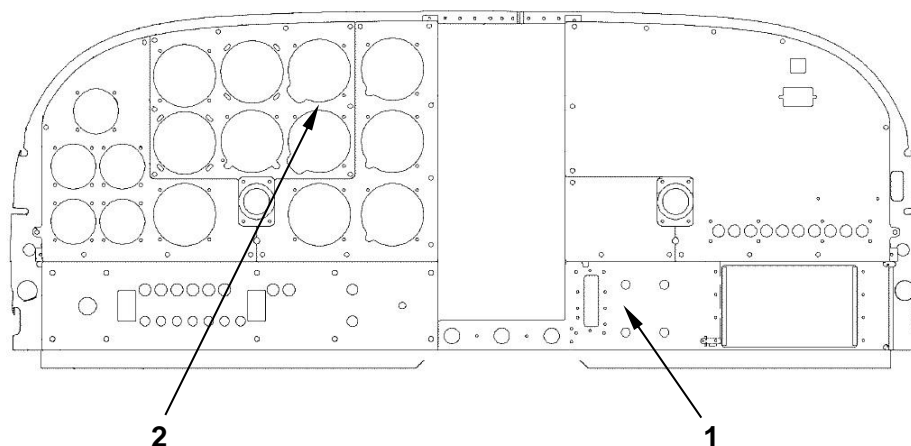
11

**PLACARDS AND
MARKINGS**

SOLOY AVIATION SOLUTIONS
CESSNA 206 WITH WING MOUNT CAMERA
MAINTENANCE MANUAL SUPPLEMENT

This Page Intentionally Left Blank

SOLOY AVIATION SOLUTIONS
CESSNA 206 WITH WING MOUNT CAMERA
MAINTENANCE MANUAL SUPPLEMENT



INSTRUMENT PANEL

AUTOPILOT USE WITH CAMER INSTALLED IS LIMITED TO:

- DAY/NIGHT VFR ONLY
- AIRSPEED: 90 - 120 KIAS
- MAXIMUM FUEL IMBALANCE: 60 LBS
- MAXIMUM FLAP EXTENSION: 10°
- NO FLAP MOVEMENT WITH AUTOPILOT ON

1.

WITH CAMERA INSTALLED:

- MAXIMUM AIRSPEED: 140 KIAS
- MAXIMUM FLAP EXTENSION: 20°

2.

Figure 1: Interior Placards

SOLOY AVIATION SOLUTIONS
CESSNA 206 WITH WING MOUNT CAMERA
MAINTENANCE MANUAL SUPPLEMENT

This Page Intentionally Left Blank

CHAPTER

57

WINGS

SOLOY AVIATION SOLUTIONS
CESSNA 206 WITH WING MOUNT CAMERA
ILLUSTRATED PARTS CATALOG SUPPLEMENT

This Page Intentionally Left Blank

SOLOY AVIATION SOLUTIONS
CESSNA 206 WITH WING MOUNT CAMERA
ILLUSTRATED PARTS CATALOG SUPPLEMENT

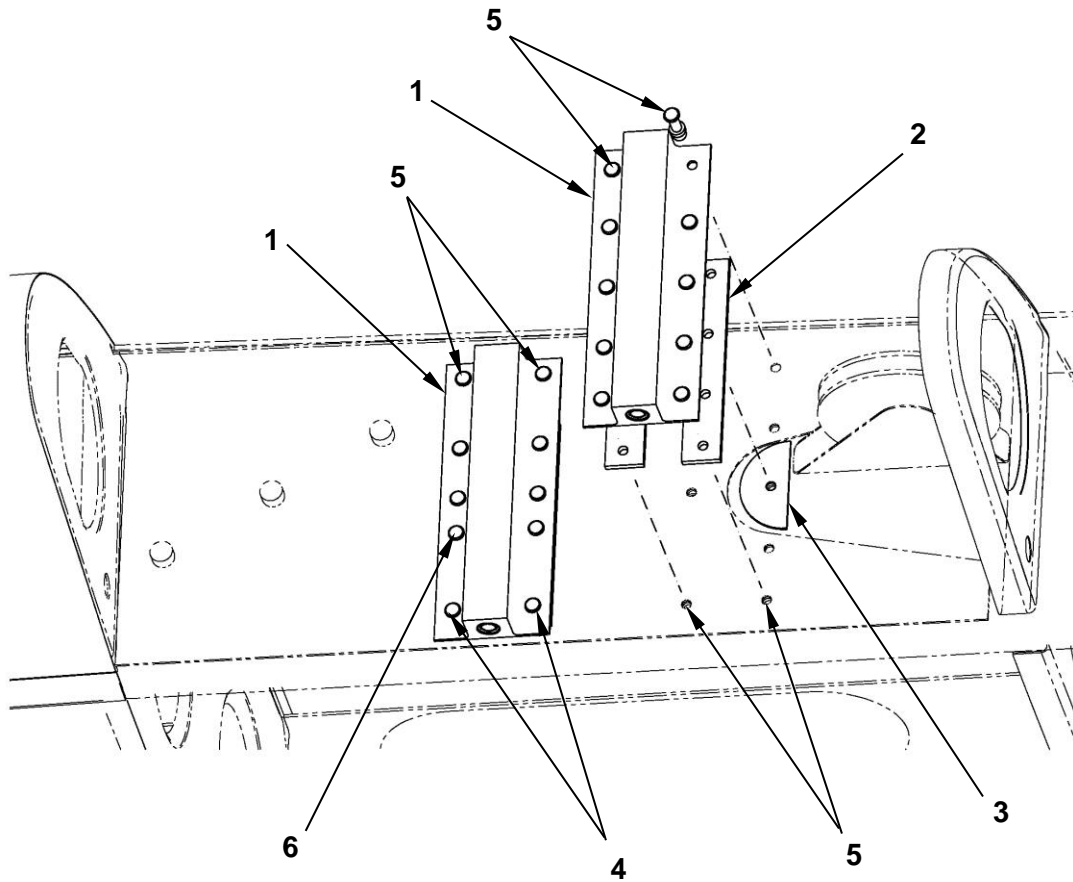


Figure 1: Spar Blocks

SOLOY AVIATION SOLUTIONS
CESSNA 206 WITH WING MOUNT CAMERA
ILLUSTRATED PARTS CATALOG SUPPLEMENT

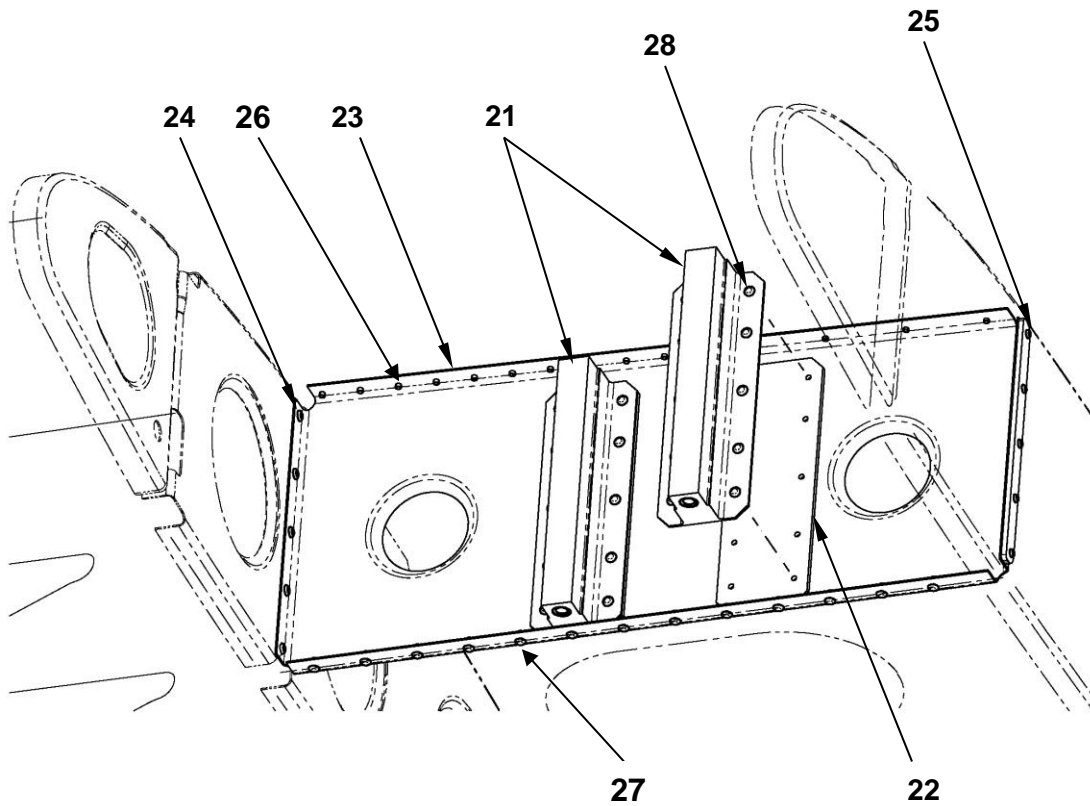


Figure 2: Intercostal Web and Intercostal Blocks

SOLOY AVIATION SOLUTIONS
CESSNA 206 WITH WING MOUNT CAMERA
ILLUSTRATED PARTS CATALOG SUPPLEMENT

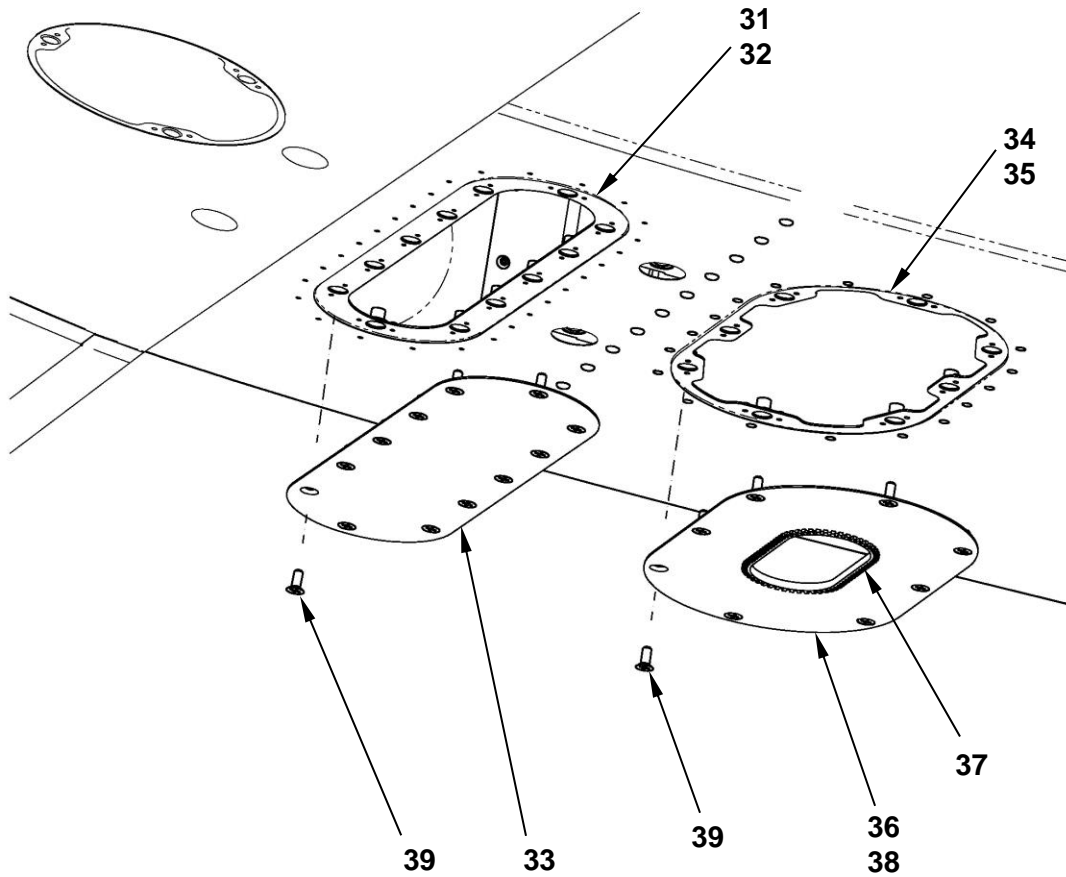


Figure 3: Wing Access Holes

SOLOY AVIATION SOLUTIONS
CESSNA 206 WITH WING MOUNT CAMERA
ILLUSTRATED PARTS CATALOG SUPPLEMENT

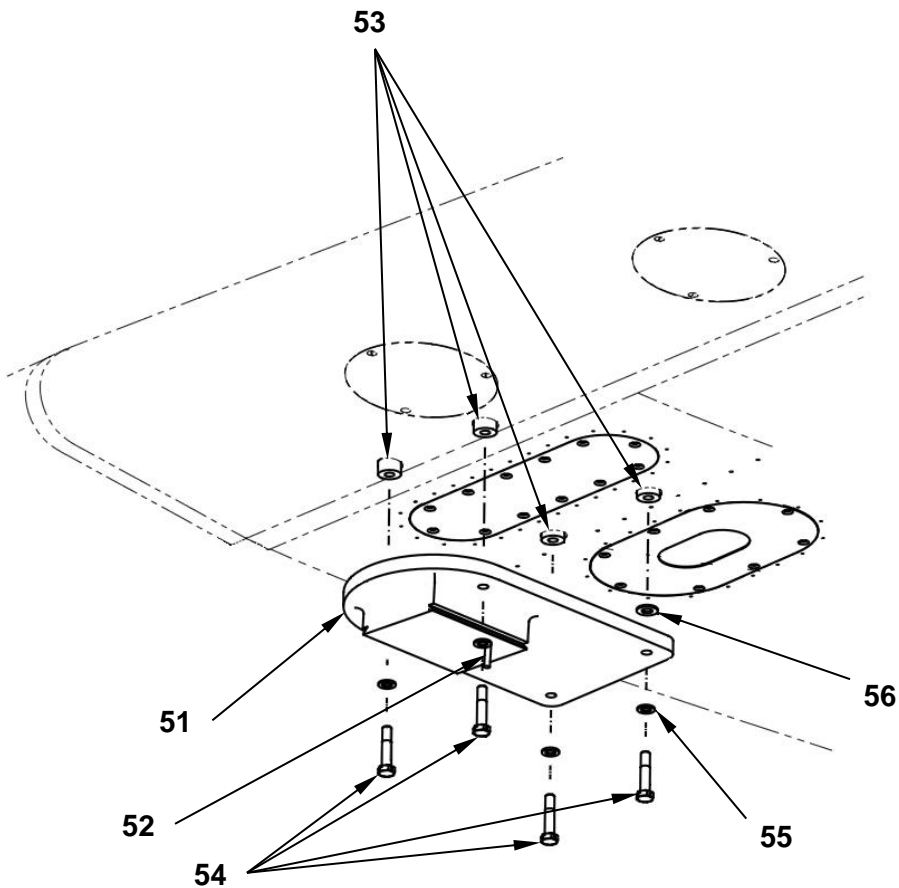
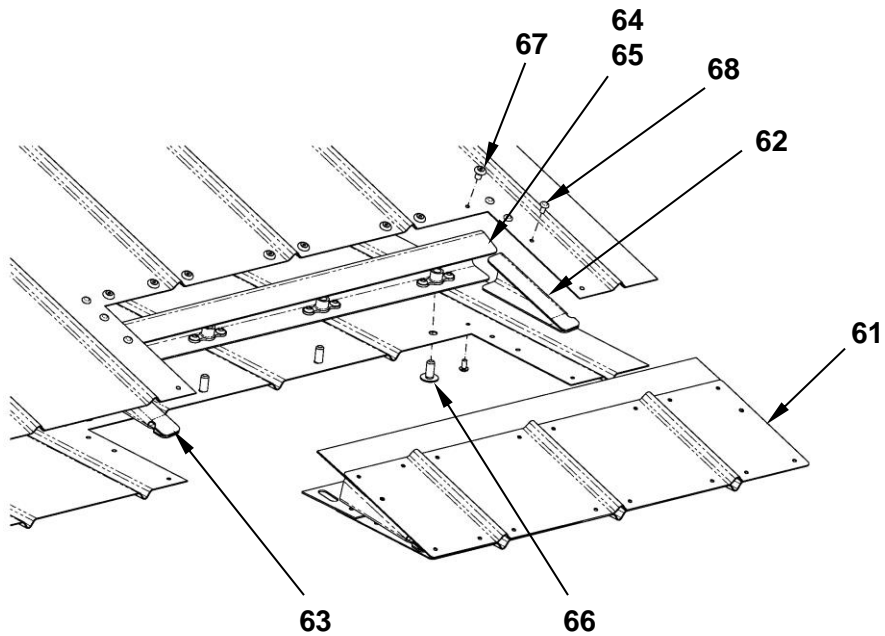
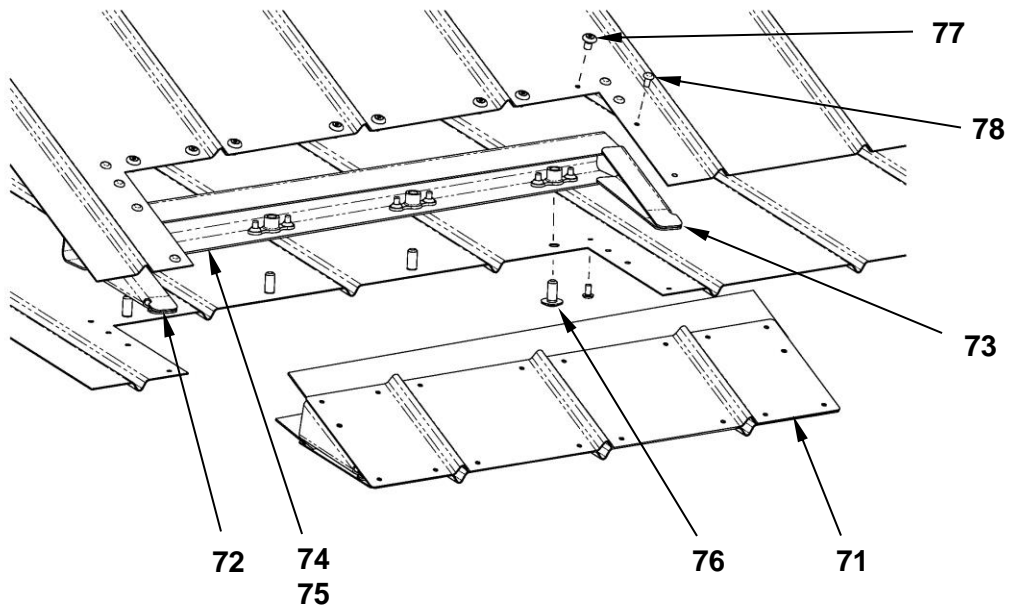


Figure 4: Dovetail Mount

SOLOY AVIATION SOLUTIONS
CESSNA 206 WITH WING MOUNT CAMERA
ILLUSTRATED PARTS CATALOG SUPPLEMENT



LEFT AILERON TRIM TAB



RIGHT AILERON TRIM TAB

Figure 1: Aileron Trim Tabs

This Page Intentionally Left Blank

ALPHABETICAL INDEX

SOLOY AVIATION SOLUTIONS
CESSNA 206 WITH WING MOUNT CAMERA
 ILLUSTRATED PARTS CATALOG SUPPLEMENT

Description	Part Number	Section	Figure
Bolt	AN5H-13A	57-40-00	4
Bushing	916-1240-1	57-40-00	4
Cover	916-1331-1	57-40-00	3
Cover	916-1341-1	57-40-00	3
Cover - Alternate	120117-1	57-40-00	3
Cover, Cable Entry	916-1340-1	57-40-00	3
Doubler Assembly	1220116-1	57-40-00	3
Doubler Assembly	916-1330-1	57-40-00	3
Doubler Assembly	916-1339-1	57-40-00	3
Dovetail Mount Assembly	916-1220-1	57-40-00	4
Grommet	MS21266-1N	57-40-00	3
Hi-Lok	HL18PB70-5-3	57-40-00	2
Hi-Lok	HL18PB70-5-4	57-40-00	2
Hi-Lok	HL18PB70-6-6	57-40-00	1
Hi-Lok	HL18PB70-6-8	57-40-00	1
Hi-Lok	HL18PB70-6-9	57-40-00	1
Inboard Tab Rib	916-1621-1	57-60-00	1
Intercostal Block Assembly	916-1311-1	57-40-00	2
Intercostal Frame Assy, LH	916-1623-1	57-60-00	1
Intercostal Frame Assy, RH	916-1623-2	57-60-00	1
Intercostal Web	916-1314-1	57-40-00	2
Nutplate	MS21047L08	57-60-00	1
Nutplate	MS21049L08K	57-40-00	3
Nutplate	MS21059L08K	57-40-00	3
Outboard Tab Rib	916-1622-1	57-60-00	1
Pin	MS16556-842	57-40-00	4
Placard, Max airspeed/Max flap	916-9008-5	11-00-00	1
Placard, Autopilot	916-9008-7	11-00-00	1
Rivet	MS20426AD4-4	57-40-00	2
Rivet	MS20470AD3-3	57-60-00	1
Rivet	MS20470AD4-5	57-40-00	2
Rivet	MS20470AD4-7	57-40-00	2
Rivet, Blind	CR3243-4-3	57-40-00	2
Rivet, Blind	CR3243-4-4	57-40-00	2
Rivet, Blind	CR3213-4-2	57-60-00	1
Screw	AN525-832R6	57-60-00	1
Screw	MS24694-S3	57-40-00	3
Shim	916-1325-1	57-40-00	1
Shim	916-1326-1	57-40-00	1
Shim Pack	916-1312-1	57-40-00	2
Spar Block Assembly	916-1321-1	57-40-00	1

ALPHABETICAL INDEX

This Page Intentionally Left Blank

PART NUMBER INDEX

SOLOY AVIATION SOLUTIONS
CESSNA 206 WITH WING MOUNT CAMERA
 ILLUSTRATED PARTS CATALOG SUPPLEMENT

Part Number	Description	Section	Figure
120117-1	Cover - Alternate	57-40-00	3
1220116-1	Doubler Assembly	57-40-00	3
916-1220-1	Dovetail Mount Assembly	57-40-00	4
916-1240-1	Bushing	57-40-00	4
916-1311-1	Intercostal Block Assembly	57-40-00	2
916-1312-1	Shim Pack	57-40-00	2
916-1314-1	Intercostal Web	57-40-00	2
916-1321-1	Spar Block Assembly	57-40-00	1
916-1325-1	Shim	57-40-00	1
916-1326-1	Shim	57-40-00	1
916-1330-1	Doubler Assembly	57-40-00	3
916-1331-1	Cover	57-40-00	3
916-1339-1	Doubler Assembly - Alternate	57-40-00	3
916-1340-1	Cover, Cable Entry	57-40-00	3
916-1341-1	Cover	57-40-00	3
916-1610-1	Tab Assembly, LH	57-60-00	1
916-1610-2	Tab Assembly, RH	57-60-00	1
916-1621-1	Inboard Tab Rib	57-60-00	1
916-1622-1	Outboard Tab Rib	57-60-00	1
916-1623-1	Intercostal Frame Assy, LH	57-60-00	1
916-1623-2	Intercostal Frame Assy, RH	57-60-00	1
916-9008-5	Placard, Autopilot	11-00-00	1
916-9008-7	Placard, Max airspeed/Max flap	11-00-00	1
AN525-832R6	Screw	57-60-00	1
AN5H-13A	Bolt	57-40-00	4
CR3213-4-2	Rivet, Blind	57-60-00	1
CR3243-4-3	Rivet, Blind	57-40-00	2
CR3243-4-4	Rivet, Blind	57-40-00	2
HL18PB70-5-3	Hi-Lok	57-40-00	2
HL18PB70-5-4	Hi-Lok	57-40-00	2
HL18PB70-6-6	Hi-Lok	57-40-00	1
HL18PB70-6-8	Hi-Lok	57-40-00	1
HL18PB70-6-9	Hi-Lok	57-40-00	1
MS9321-11	Washer	57-40-00	4
MS15795-712	Washer	57-40-00	4
MS16556-842	Pin	57-40-00	4
MS20426AD4-4	Rivet	57-40-00	2
MS20470AD3-3	Rivet	57-60-00	1
MS20470AD4-5	Rivet	57-40-00	2
MS20470AD4-7	Rivet	57-40-00	2
MS21047L08	Nutplate	57-60-00	1

PART NUMBER INDEX

SOLOY AVIATION SOLUTIONS
CESSNA 206 WITH WING MOUNT CAMERA
ILLUSTRATED PARTS CATALOG SUPPLEMENT

This Page Intentionally Left Blank